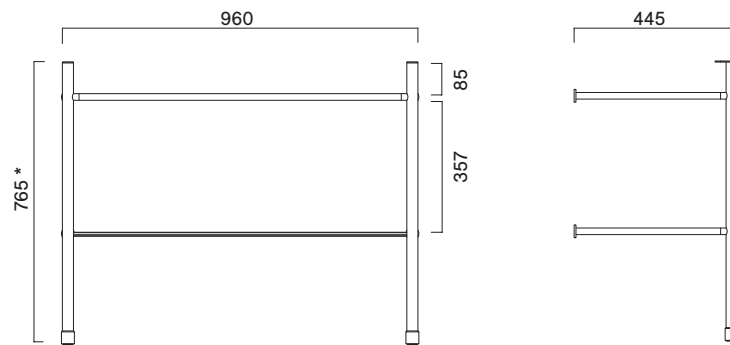




Frame D30 - 100x47

Description	cm 97x45 h77 kg 12,9	Structure Ø30 in chromed brass with extraclear tempered glass shelf back-painted white.
Codes, colours and finishes	04 5810 0061	Chrome <input type="radio"/>
Dimensions		



* Height with end cap adjusted at halfway

